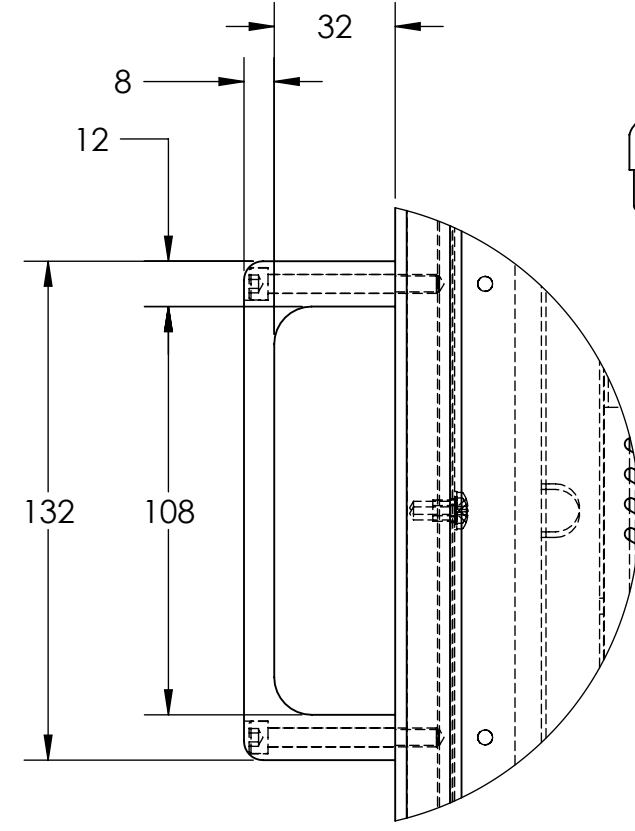
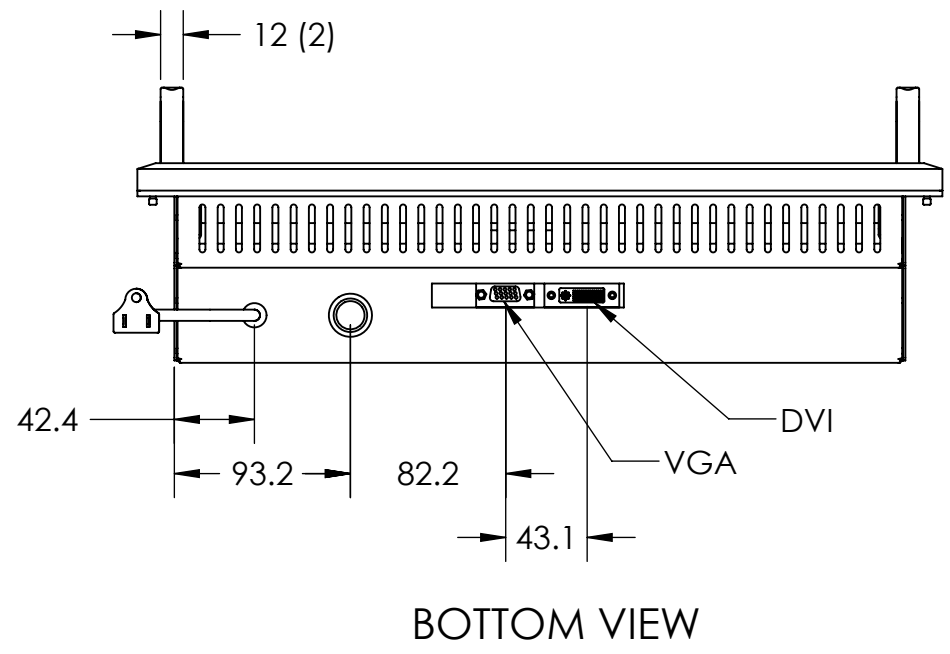
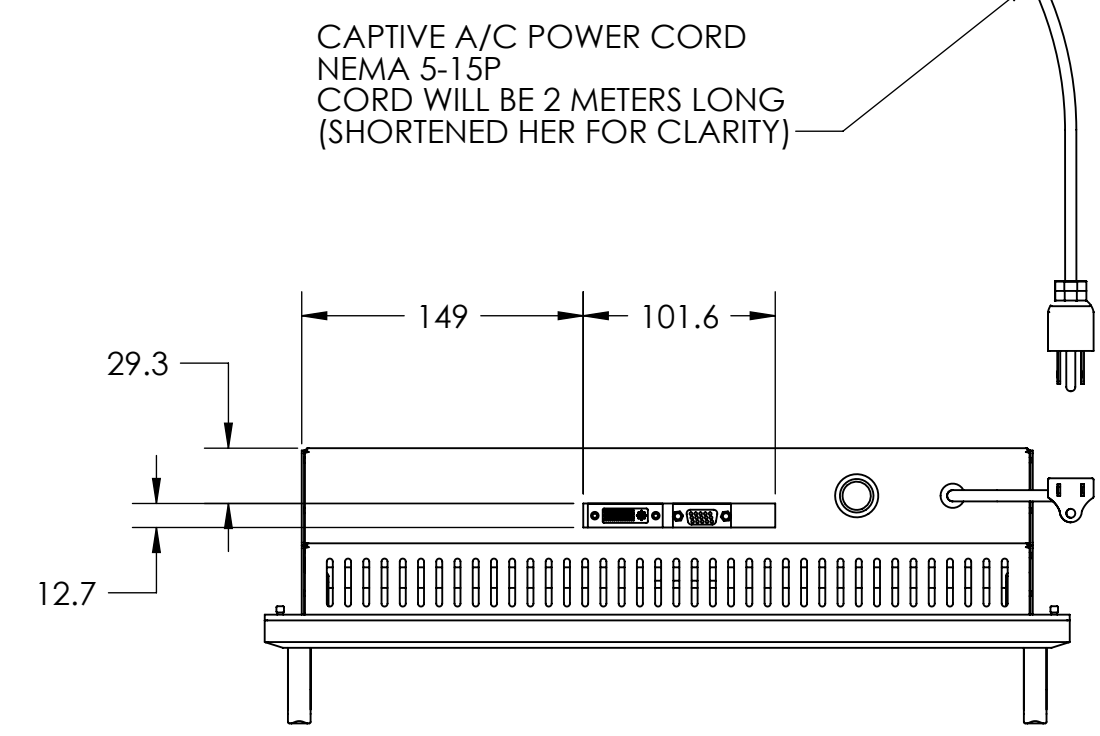
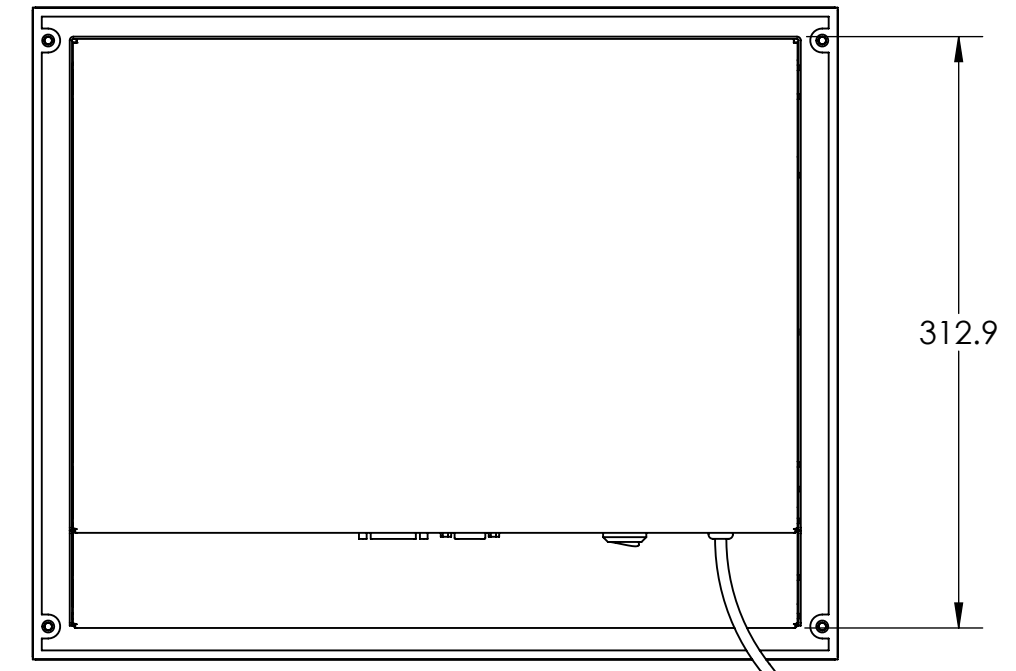
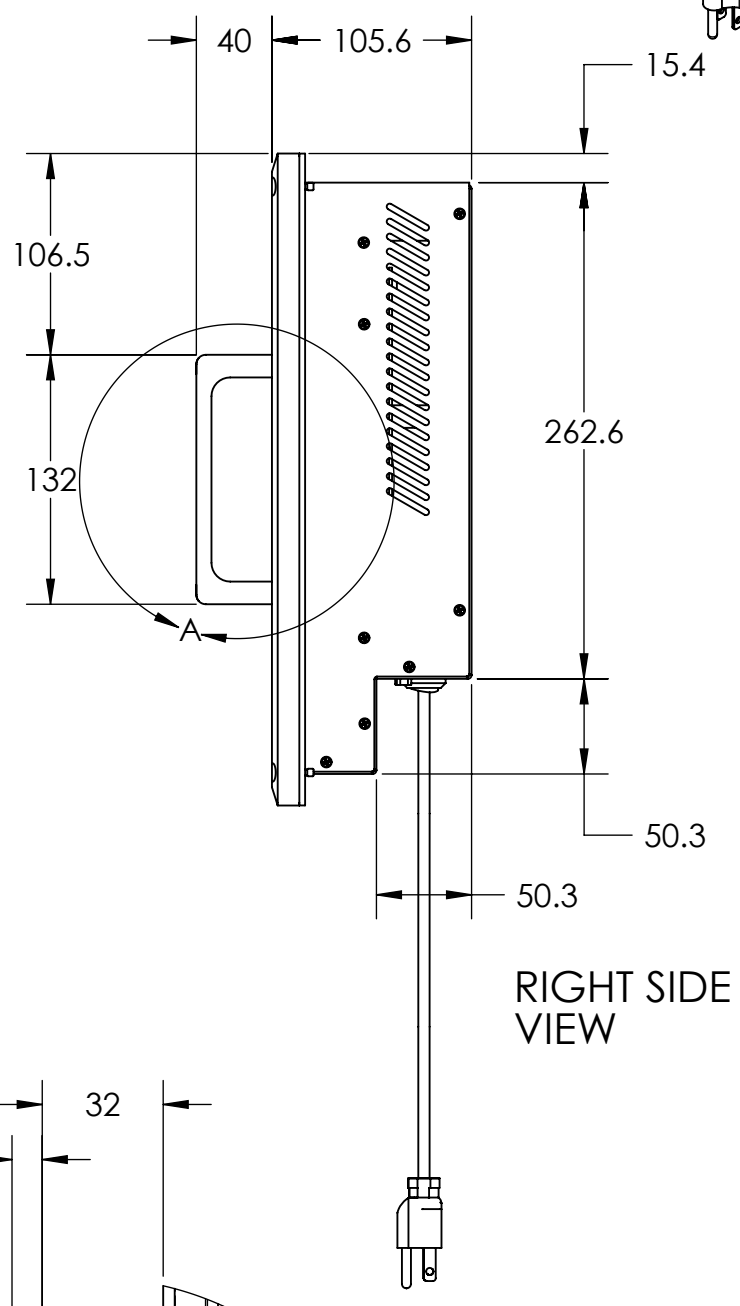
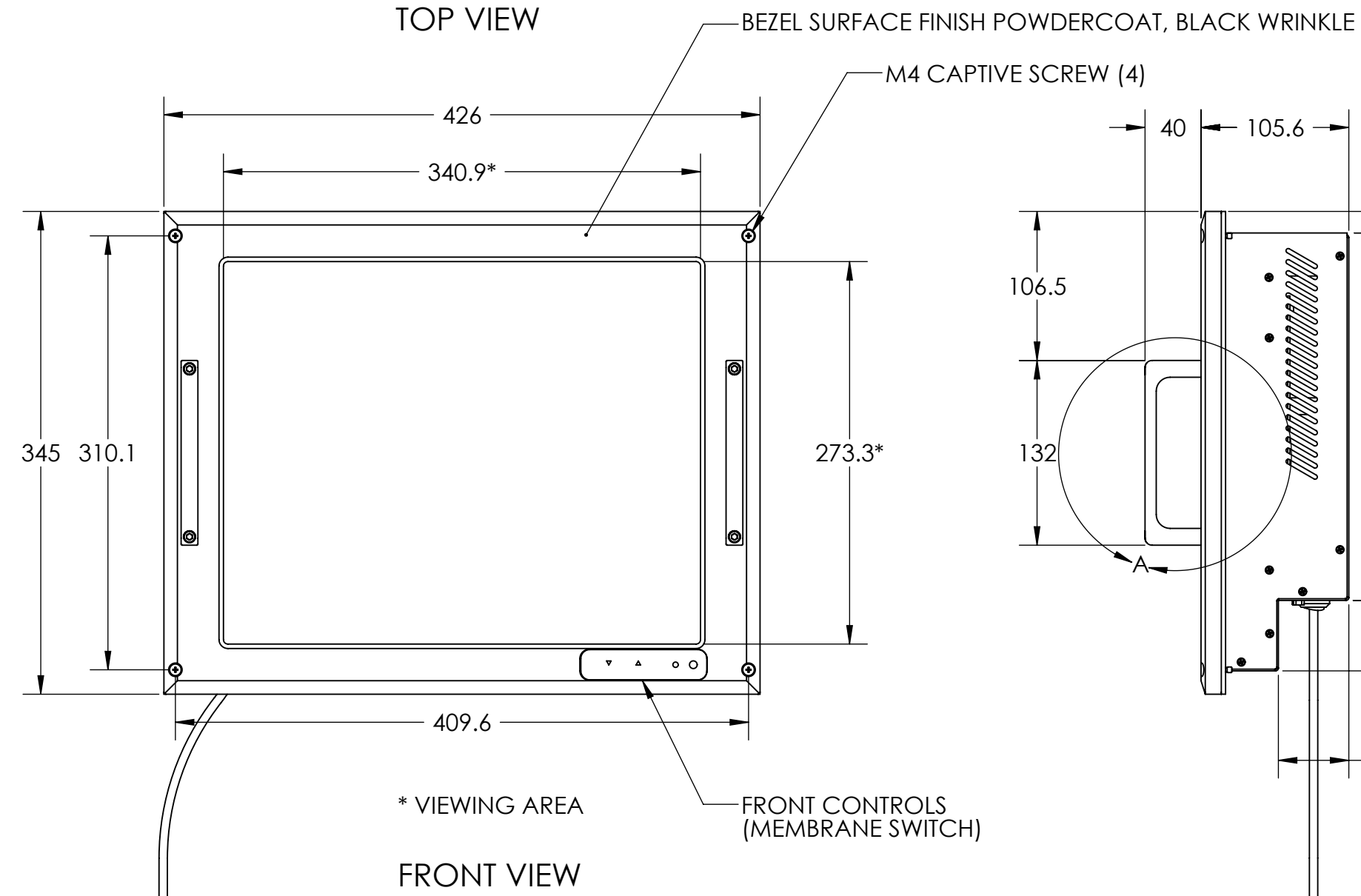
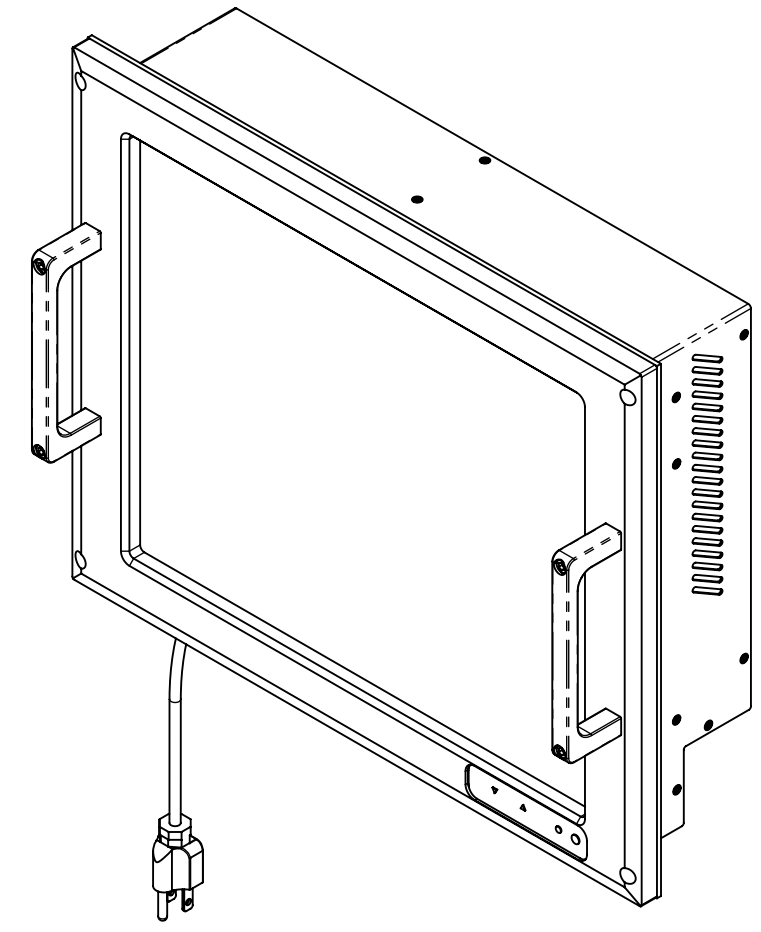
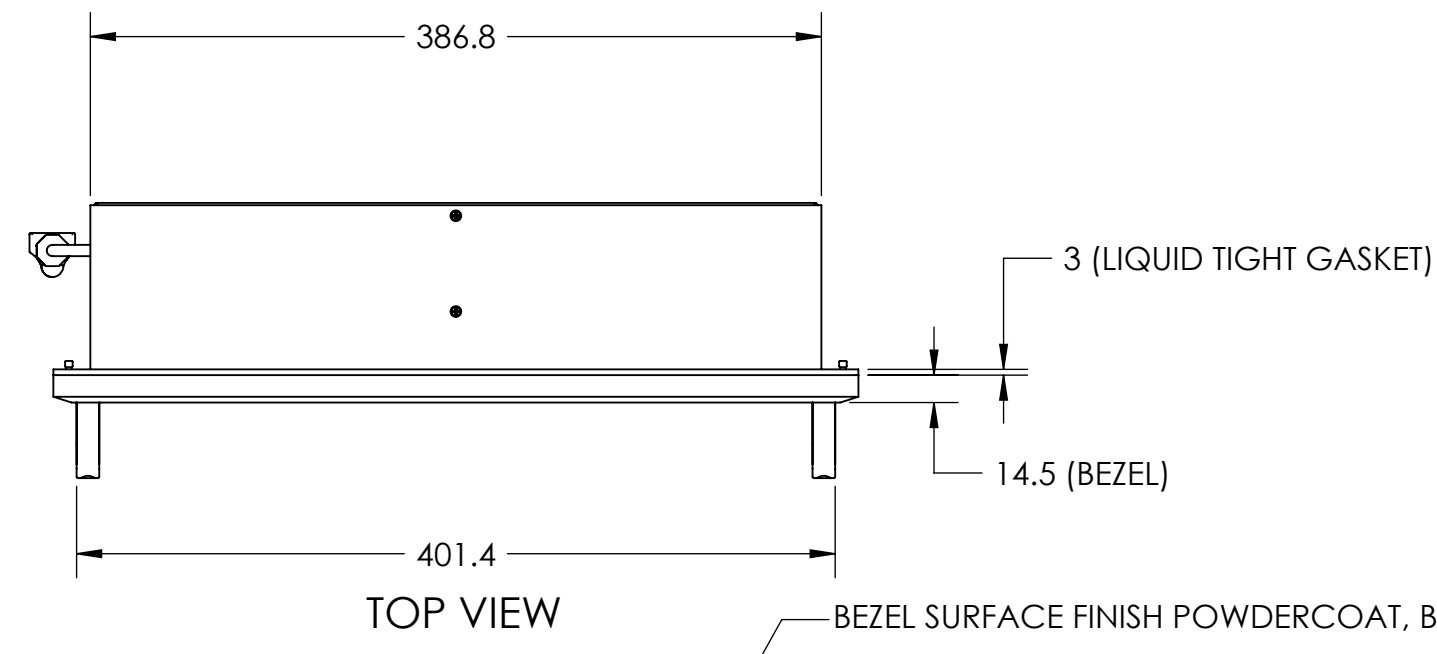


REVISIONS			
REV.	DESCRIPTION	DATE	APPROVED
04	PRODUCTION RELEASE	5/26/2010	



UNLESS OTHERWISE SPECIFIED:		NAME	DATE	TITLE: <b>OUTLINE DWG, 17" FLT/PNL DISPLAY, RUGGEDIZED</b>	
DIMENSIONS ARE IN INCHES		DRAWN	ARJ		5/26/10
TOLERANCES:		CHECKED			
FRACTIONAL ±		ENG APPR.			
ANGULAR: MACH ± BEND ± .5°		MFG APPR.			
TWO PLACE DECIMAL ± .020		Q.A.			
THREE PLACE DECIMAL ± .010		COMMENTS:			
INTERPRET GEOMETRIC TOLERANCING PER:					
MATERIAL					
FINISH					
NEXT ASSY					
USED ON					
APPLICATION					
DO NOT SCALE DRAWING					
SCALE: 1:4		DWG. NO. <b>C 0014126</b>		REV <b>04</b>	
SHEET 1 OF 1					