



AbraxSys Corporation

ARTICULATING ARM

Model 9109

LCD Desk Stand



The Model ASMA9109 LCD Stand allows the user to easily adjust the monitor height and angle. The 90-degree rotating pivot feature allows you to view the LCD in either landscape or portrait format. Comes with a free-standing base – instant setup.

FEATURES

- ▲ Position monitor at desired height on pole
- ▲ Pivot and tilt monitor
- ▲ Sturdy base provides a secure platform
- ▲ Compatible with all VESA® monitors – includes 75mm and 100mm VESA® mounting plates



Monitor can pivot from landscape to portrait



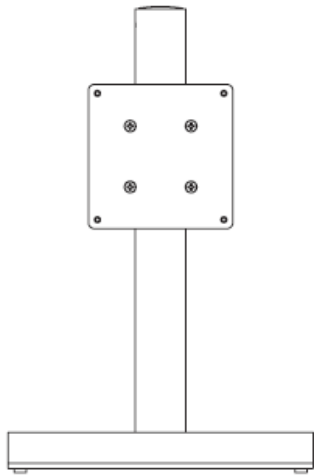
Adjust monitor height as desired



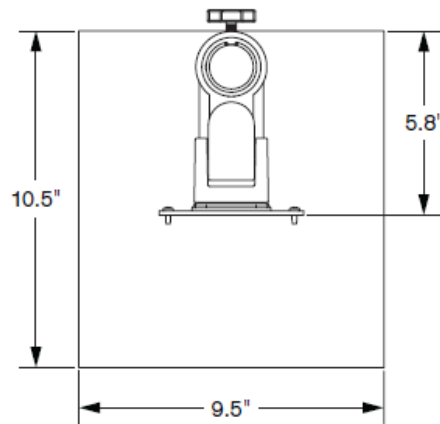
Adjust monitors independently



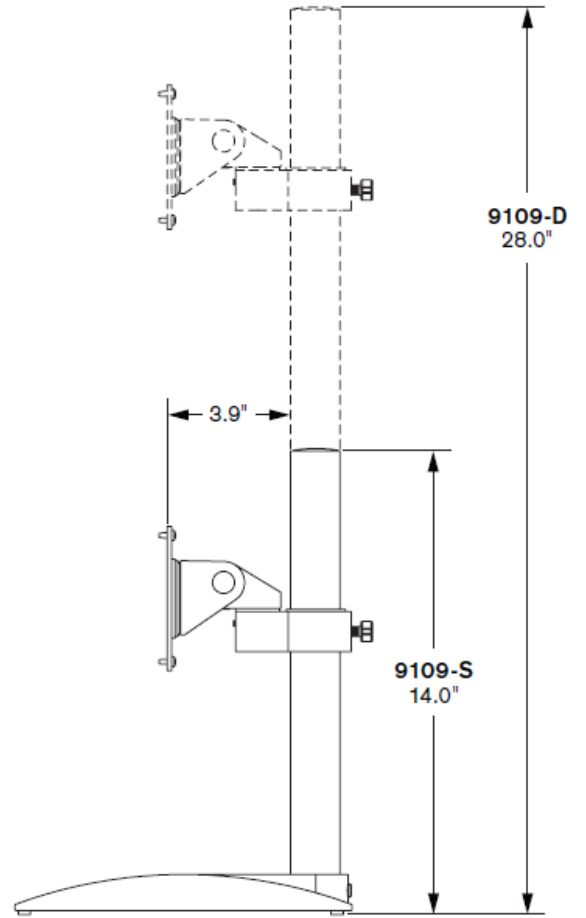
Ideal for touchscreen applications



FRONT VIEW



TOP VIEW



SIDE VIEW

CAPABILITIES

Pole height	14 (9109-S), 28 (9109-D)
Base dimensions	W: 9.5 , L: 10.5
Base weight	10 lbs
Monitor tilt	200 degrees
Monitor pivot	Landscape to portrait
Monitor compatibility	VESA® 75mm and 100mm
Monitor weight	Up to 45 lbs per monitor



Building 204F
Baton Rouge, Louisiana 70808
U.S.A.

Toll-Free (800) 883-9050
International 001.225.928.4733
Fax (225) 928-4734
contact@abraxsyscorp.com