



AbraxSys Corporation

ARTICULATING ARM

Model 9112

Articulating LCD Mount



Model ASMA9112 features foldable arms which adjust vertically up and down a 14" pole. The arms can fold up to fit in about 3" of space and extend out 14". Various pole lengths and extensions are available or can be designed to fit any application you may be looking for. Unique cable management allows cables to be tucked under the forearm extensions.

FEATURES

- ▲ 14" standard pole (custom pole lengths are available)
- ▲ Rotates 360 degrees at three joints
- ▲ Monitor can tilt over 200 degrees
- ▲ Includes flexmount provisions— six different mounting options in one kit
- ▲ Ideal for slatwall mounting; can be combined with all Innovative mount options (sold separately)



Mount two monitors with model 9112-D



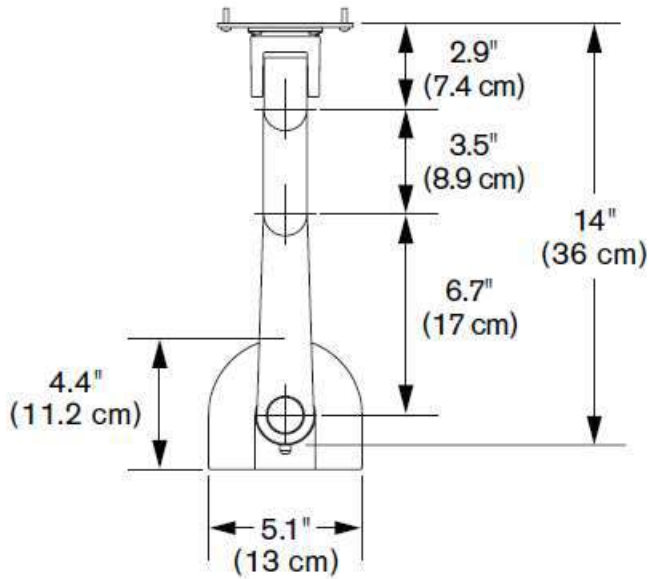
Integrated cable management



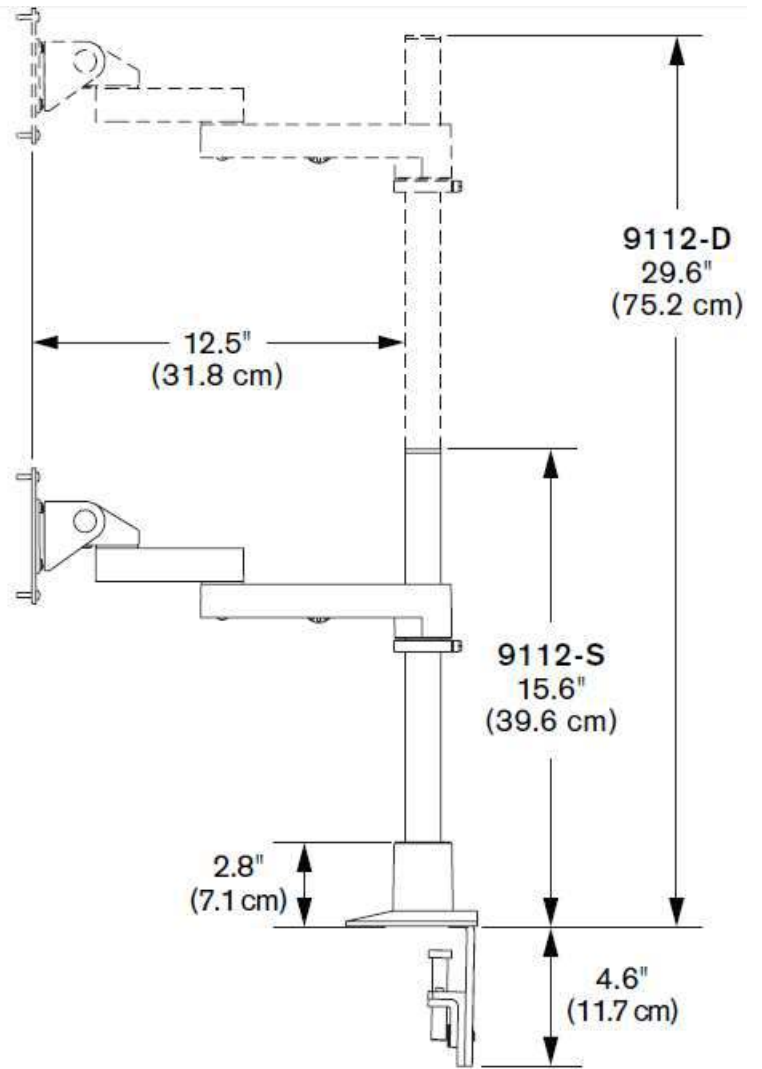
Arm extends up to 14"



Folds into 3" of space



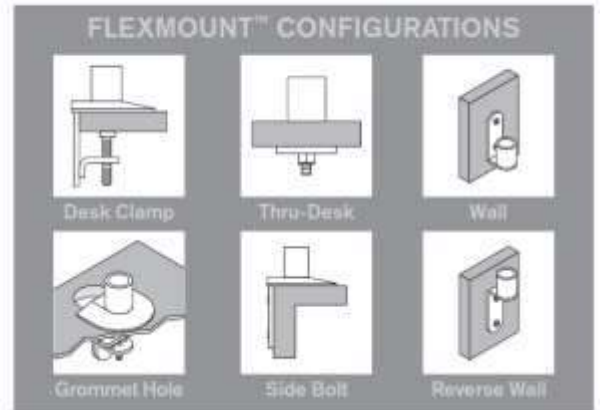
TOP VIEW



SIDE VIEW

CAPABILITIES

Horizontal range	14 (36 cm) from back of pole
Pole size	14 (36 cm) 9112-S , 28 (71 cm) 9112-D
Monitor tilt	200 degrees
Monitor pivot	Landscape to portrait
Monitor compatibility	VESA® 75mm and 100mm
Mounting options	FLEXmount™, Slatwall, Wall, Thru Desk
Monitor weight	Up to 40 lbs (18 kg) per monitor

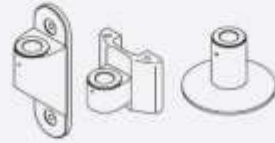


OPTIONAL ACCESSORIES



QUICK RELEASE ADAPTERS

Allows for quick attach and release of monitor (8336-QR).



MOUNTS

Wall (8325), slatwall (8246) and thru-desk (8312).



AbraxSys Corporation

4919 Jamestown Avenue
Building 204F
Baton Rouge, Louisiana 70808
U.S.A.

Toll-Free (800) 883-9050
International 001.225.928.4733
Fax (225) 928-4734
contact@abraxsyscorp.com