



AbraxSys Corporation

ARTICULATING ARM

Model 9136

Articulating LCD Mount

A stylish addition for the space-challenged office. Attach to desk or hang from slatwall for maximum space savings.



FEATURES

- ▲ 14" standard pole (custom pole lengths available)
- ▲ Monitor simply slides along pole for easy height adjustment
- ▲ Pivot and tilt monitor
- ▲ Includes flexmount provisions— six different mounting options in one kit (wall, slatwall and panel system mounts available)



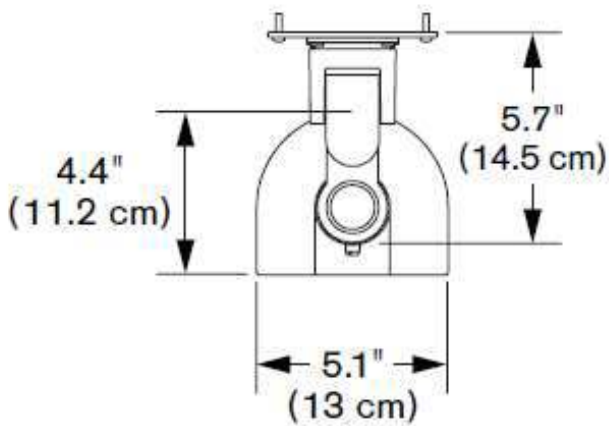
Model 9136 offers maximum space savings



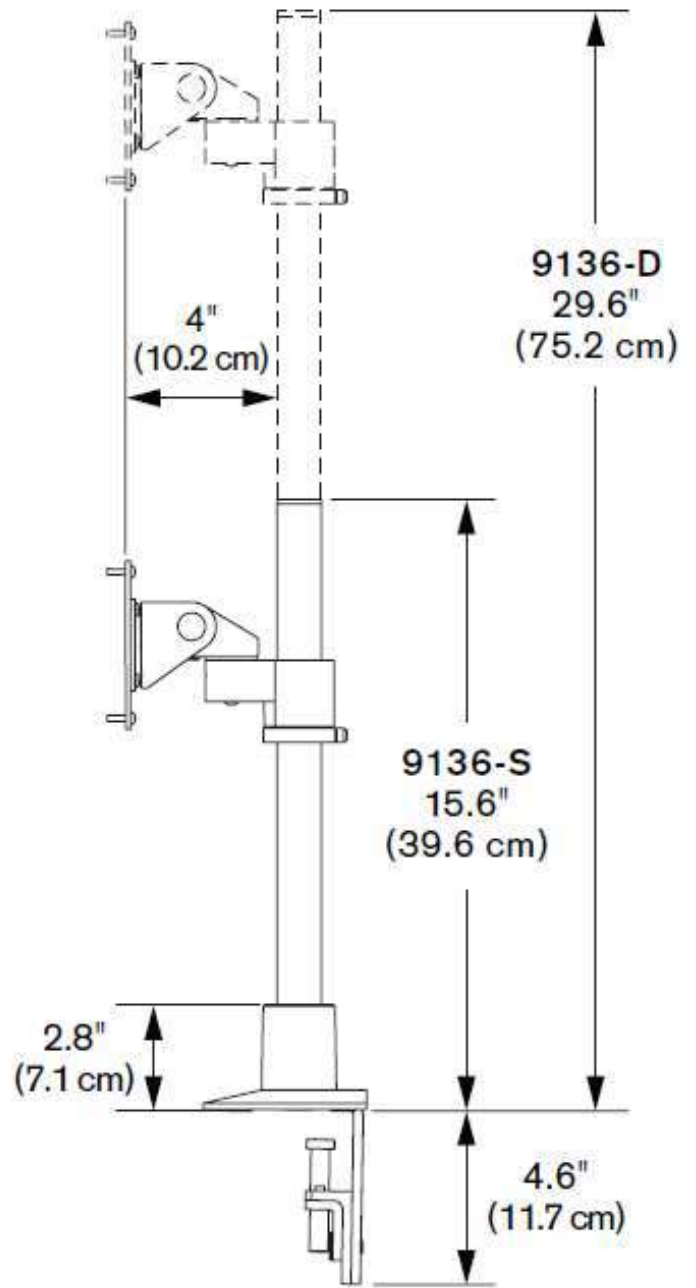
Tilt, pivot and rotate each LCD independently



Collars easily slide along pole for height adjustment



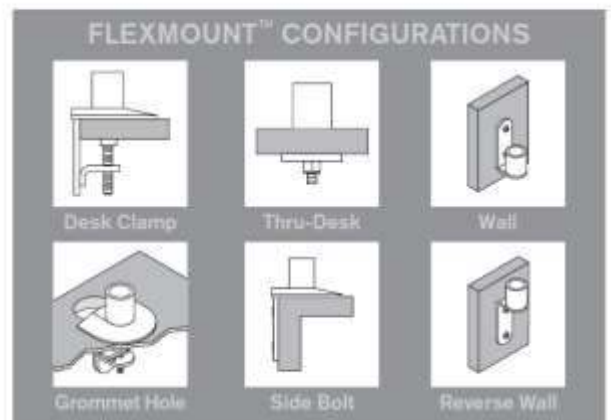
TOP VIEW



SIDE VIEW

CAPABILITIES

Pole size.....	14 (36 cm) 9136-S , 28 (71 cm) 9136-D
Monitor tilt.....	200 degrees
Monitor pivot.....	Landscape to portrait
Monitor compatibility.....	VESA® 75mm and 100mm
Mounting options.....	FLEXmount™, Slatwall, Wall, Thru Desk
Monitor weight.....	Up to 45 (20.4 kg) lbs per monitor



OPTIONAL ACCESSORIES



QUICK RELEASE ADAPTERS

Allows for quick attach and release of monitor (8336-GR).



MOUNTS

Wall (8325), slotwall (8246) and thru-desk (8372).



AbraxSys Corporation

4919 Jamestown Avenue
Building 204F
Baton Rouge, Louisiana 70808
U.S.A.

Toll-Free (800) 883-9050
International 001.225.928.4733
Fax (225) 928-4734
contact@abraxsyscorp.com