



# AbraxSys Corporation

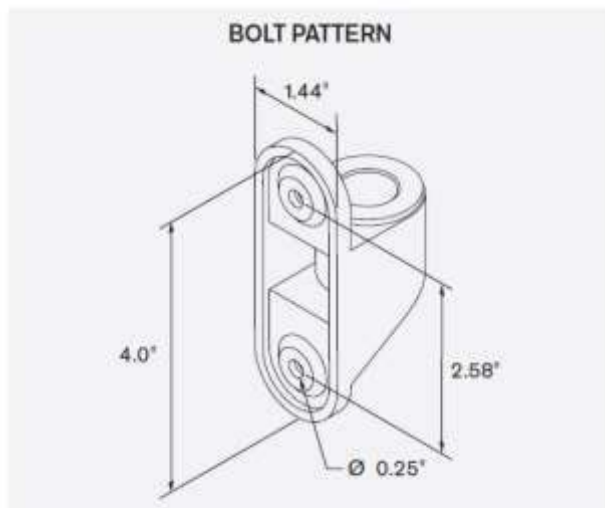


## Model ASMA9110

**H**ang your flat panel on the wall to save maximum space. Allows pivot and tilt. Or, add optional extender arms to allow even greater flexibility and range.

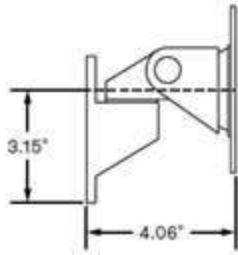
### FEATURES

- ▲ Reposition the monitor with one hand— no knobs to turn.
- ▲ Monitor pivots 90 degrees for portrait to landscape viewing.
- ▲ Tilt monitor up and down 30 degrees.
- ▲ Compatible with all VESA® monitors—includes 75mm and 100mm VESA® mounting plates.
- ▲ 4" and 8" extension arms are available; can be combined to increase extension up to 18".

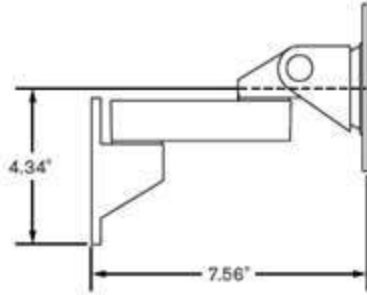


Monitor pivot.....Landscape to portrait  
Monitor compatibility.....VESA® 75mm and 100mm

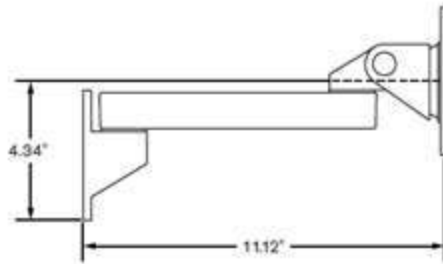
ASMA9110



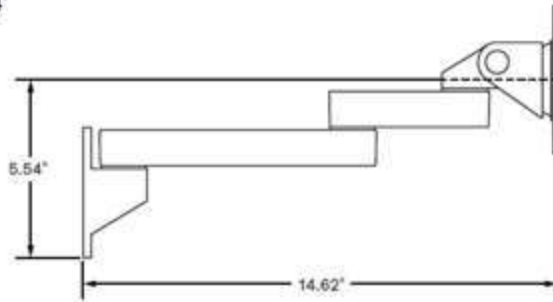
ASMA9110-104



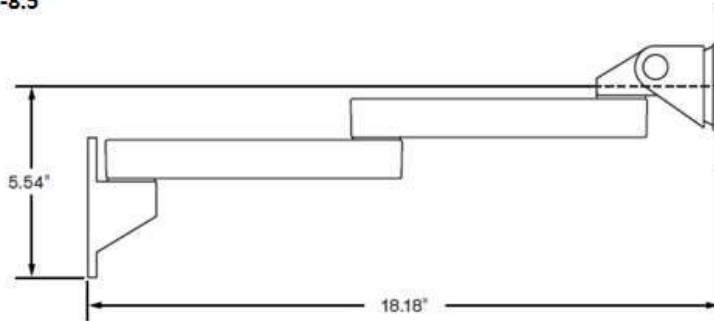
ASMA9110-8.5



ASMA9110-8.5-4



ASMA9110-8.5-8.5





Adjust monitor for preferred viewing angle



Add optional extender arms to allow even greater exibility and range



**AbraxSys Corporation**

4919 Jamestown Avenue  
Building 204F  
Baton Rouge, Louisiana 70808  
U.S.A.

Toll-Free (800) 883-9050  
International 001.225.928.4733  
Fax (225) 928-4734  
[contact@abraxsyscorp.com](mailto:contact@abraxsyscorp.com)