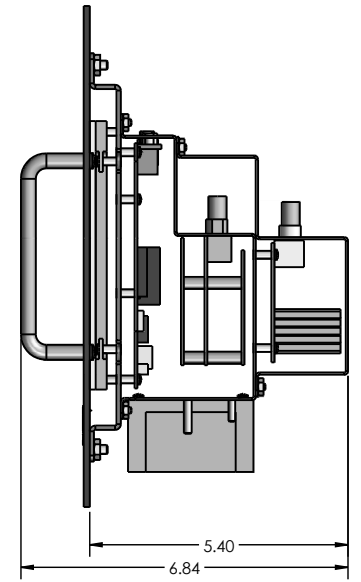
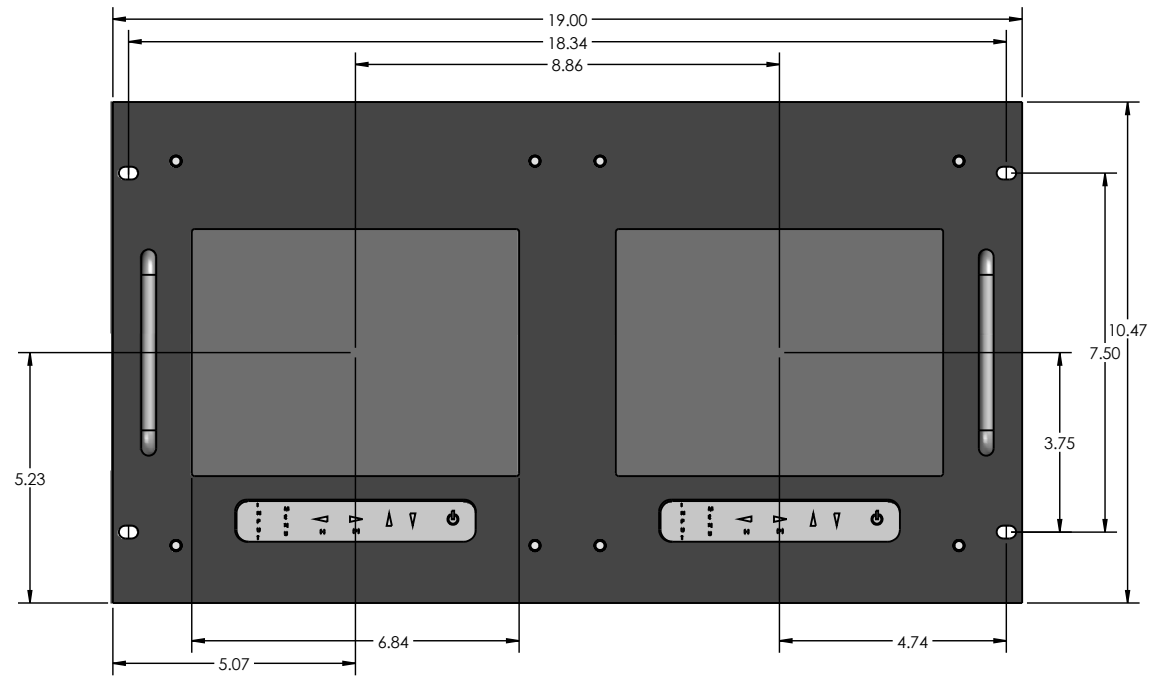
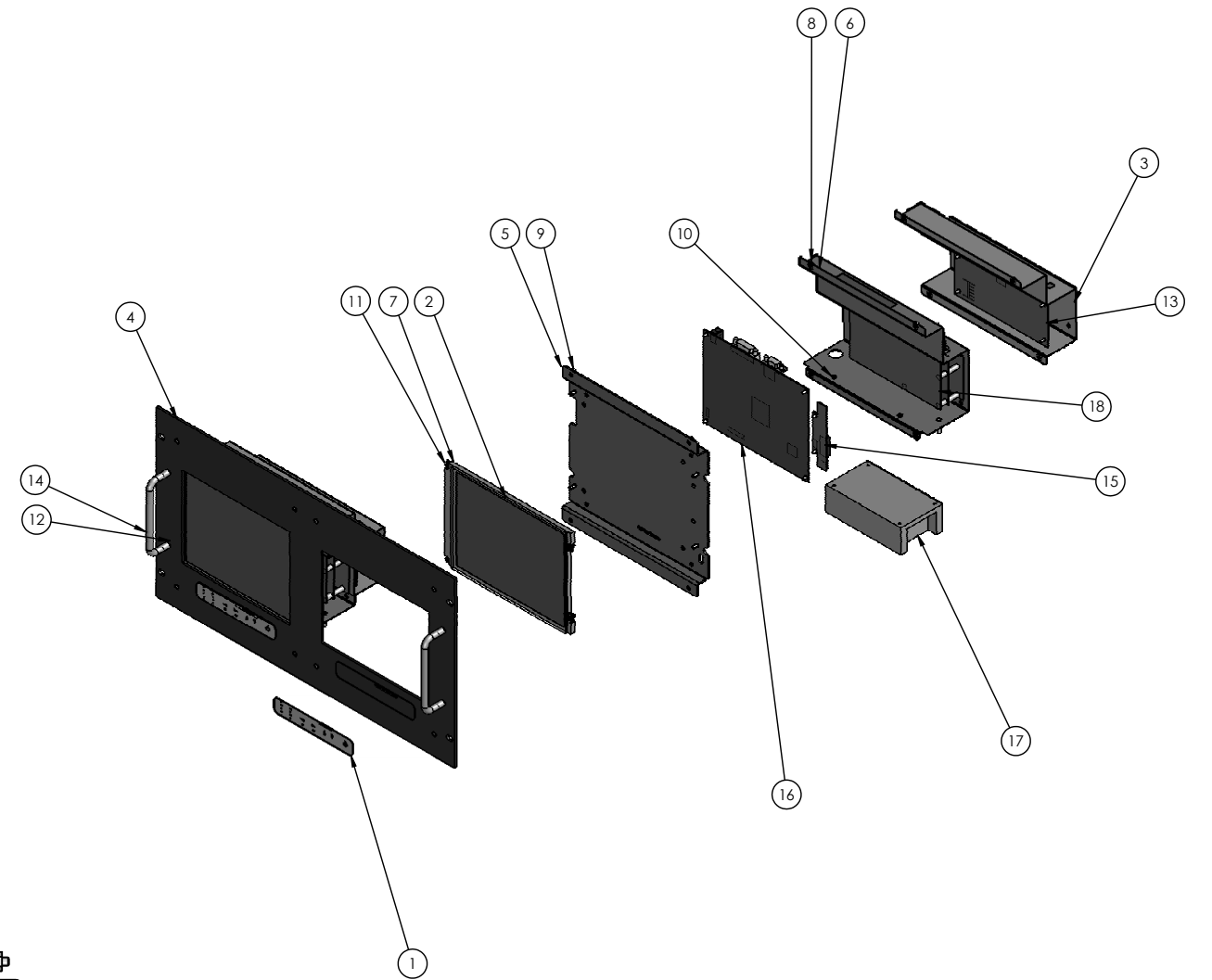
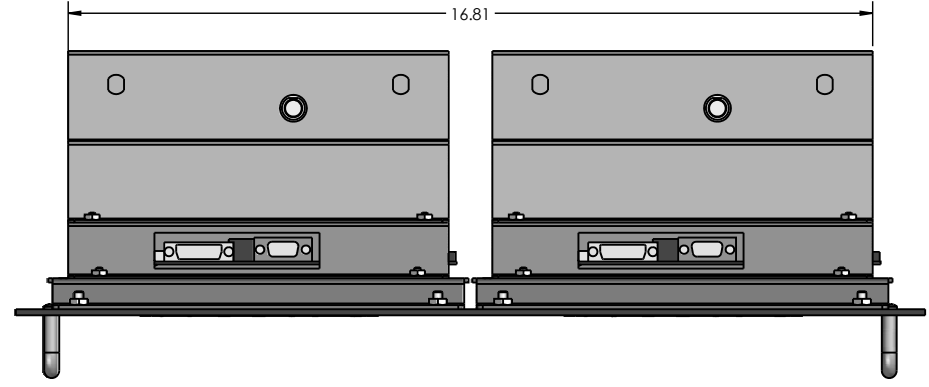


ITEM NO.	PART NUMBER	DESCRIPTION	Delqult/ QTY
1	1312231 REV 02	MEMBRANE SWITCH	2
2	1701031 REV 01	GLASS	2
3	1702679 REV 03	COVER, OUTER	2
4	1706329 REV 02	BEZEL	1
5	1725440 REV 03	PLATE, 8.4" MNTG	2
6	1725441 REV 03	BRKT, MAIN	2
7	8.4 LCD MONITOR	MONITOR	2
8	8100111	NUT,MSCR,HEX,KEP,6-32,ZI	16
9	8100113	NUT,MSCR,HEX,KEP,10-32	8
10	8110040	SCR,M,PNH,PHH,4-40 X 3/16,ZINC	8
11	8110041	SCR,M,PNH,PHH,4-40 X 1/4,ZINC	28
12	8110104	SCR,SEM,PHH,8-32 X 1/2,ZINC	4
13	ANALOG DIFFERENTIAL BOARD		2
14	HANDLE 8.4 DBL	HANDLE	2
15	INVERTER BOARD		2
16	M-STAR BOARD		2
17	POWER SUPPLY FOR 8.4		2
18	SIGNAL-DAUGHTER BOARD		2

REVISIONS			
REV.	DESCRIPTION	DATE	APPROVED
01	PROTOTYPE RELEASE	7/10/11	
02	REPOSITIONED POWER SUPPLY	10/8/2012	SRS



UNLESS OTHERWISE SPECIFIED:		NAME	DATE	<b>AbraxSys Corp</b>
DIMENSIONS ARE IN INCHES		SRS	10/04/12	
TOLERANCES:		DRAWN		TITLE:
FRACTIONAL:		CHECKED		<b>OUTLINE DWG,</b>
ANGULAR: MACH:	BEND:	ENG APPR:		<b>8.4" DUAL DISPLAY</b>
TWO PLACE DECIMAL:		MFG APPR:		SIZE DWG. NO. REV
THREE PLACE DECIMAL:		QA:		<b>D 0014130 02</b>
NEAREST GEOMETRIC TOLERANCING PER:		COMMENTS:		SCALE: 1:2 WEIGHT: SHEET 1 OF 2
MATERIAL:				
NEXT ASSY	USED ON	FINISH		
APPLICATION				

D 0014130 REV 01

REV 02