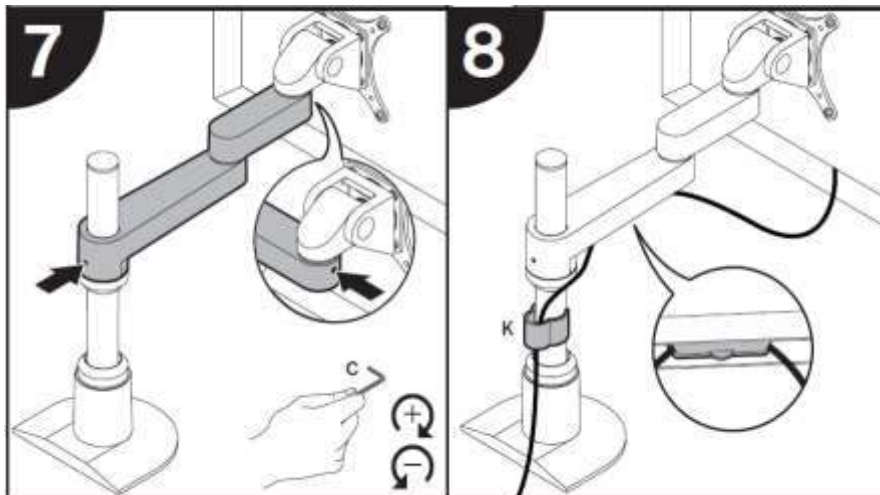
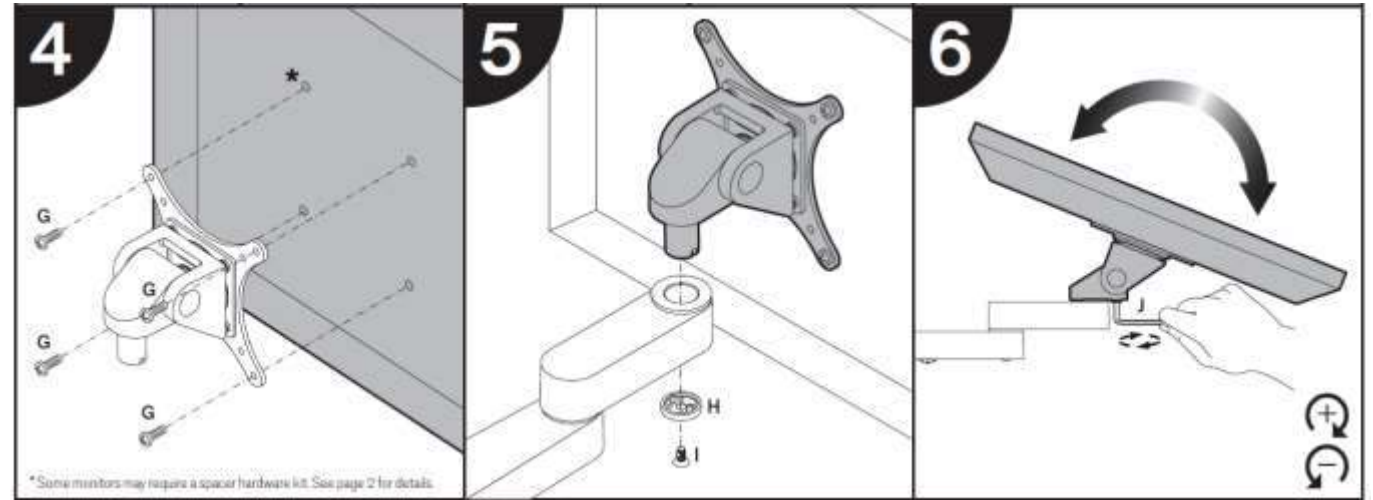
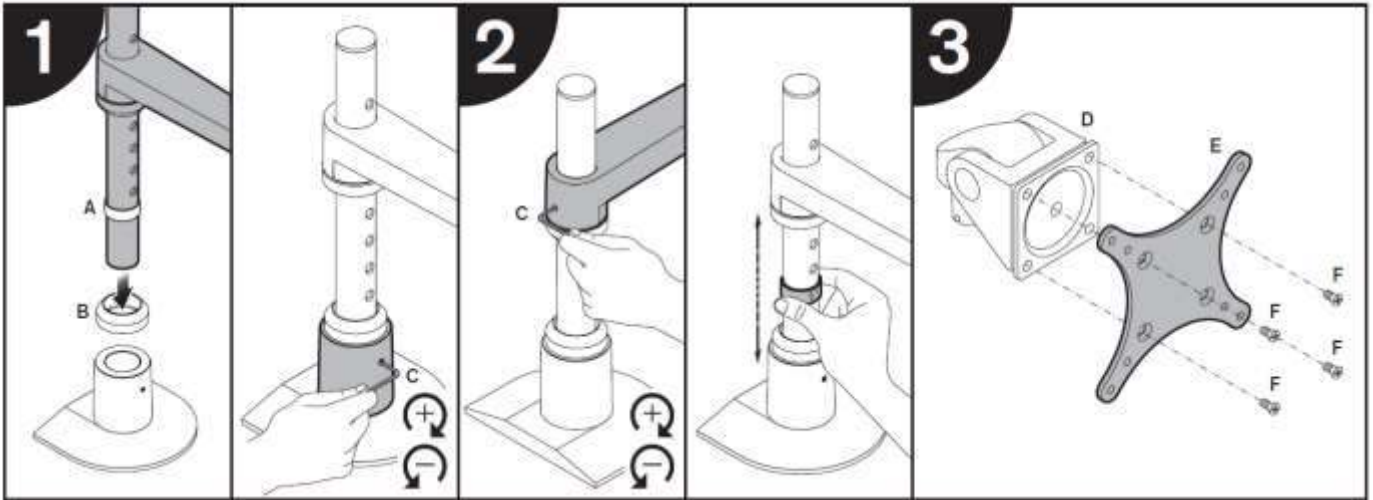
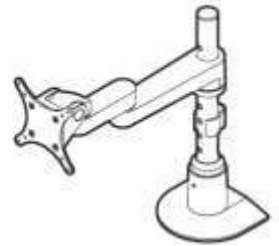


MODEL 9114

Installation Instructions



MODEL 9114

Parts List

ITEM	DESCRIPTION / PART NO.	QUANTITY
A	Pole Snap Outer Cover 105197	1
B	Pole Snap Inside Grip 106648	1
C	3/32" Allen Wrench 700146	1
D	Monitor Tilter 405397	1
E	75/100mm VESA® Adapter Plate 105587	1
F	M4 x 12 Phillips Pan Head Screw 702096	4 (4 pack)

ITEM	DESCRIPTION / PART NO.	QUANTITY
G	M4 x 12mm Phillips Pan Head Screw 702096	1 (4 pack)
H	Dog Washer 105189	1
I	10-32 x 3/8" FPhMS w/Lock Patch 705198	1
J	7/32" Allen Wrench 701127	1
K	Cable Clip 104533	1

OPTIONAL SPACER KITS In some cases, the mounting surface on your monitor may be recessed further than permitted by VESA® standards. As a result, a spacer kit may be required.



.25" Spacer Hardware Kit
 (4) .25" Spacers
 (4) M4 x 18mm Phillips Pan Head Screws
 Order # P404923-B



.5" Spacer Hardware Kit
 (4) .5" Spacers
 (4) M4 x 25mm Phillips Pan Head Screws
 Order # P404923-C



AbraxSys Corporation

4919 Jamestown Avenue
 Building 204F, Baton Rouge, Louisiana 70808 U.S.A.

Toll-Free (800) 883-9050
 International 001.225.928.4733
 Fax (225) 928-4734
contact@abraxsyscorp.com