



AbraxSys Corporation

ARTICULATING ARM

Model 9130

Long reach Flat Panel LCD Mount



A state-of-the-art addition for the space-challenged office. This pole mount features foldable arms which adjust vertically. Mount one or two flat panel monitors vertically on a single pole.

FEATURES

- ▲ The arm can fold up to fit about 3" of space and extend out 16"
- ▲ Foldable arms are adjustable vertically up and down along the pole
- ▲ Arm joints rotate 360° and the monitor can tilt over 200°
- ▲ Users can position the LCD arm with the touch of a finger
- ▲ Cable management keeps the work surface free of annoying cable clutter
- ▲ Accessory products are available for holding keyboards or laptop computers



Position the LCD arm with the touch of a finger



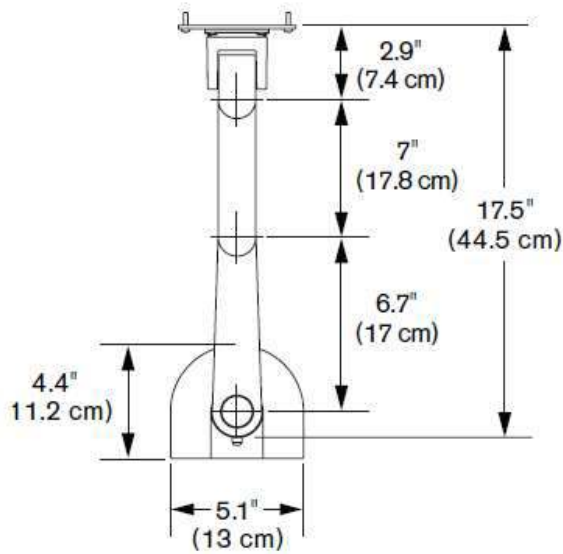
Folds flat to save space



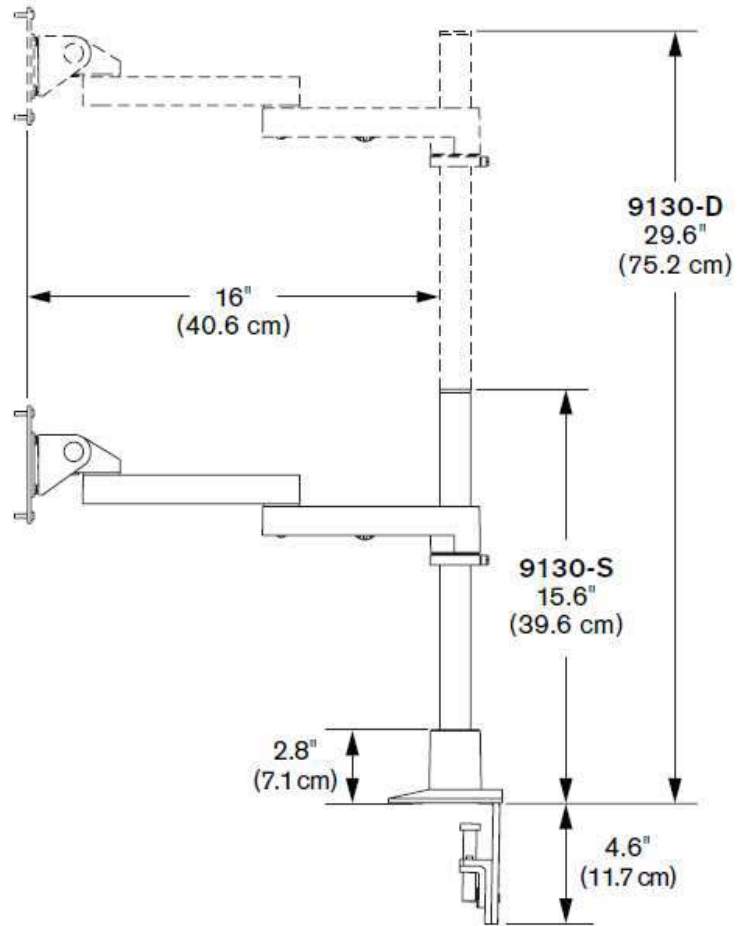
Arm extends up to 16



Mount two LCD monitors on a single pole



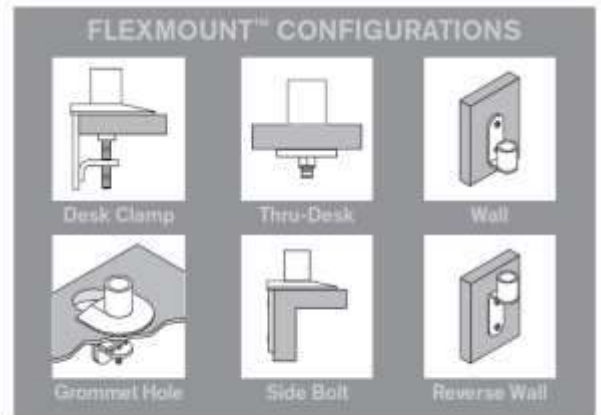
TOP VIEW



SIDE VIEW

CAPABILITIES

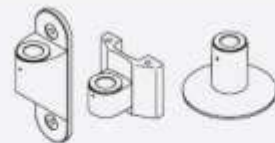
Horizontal range	16"
Pole height	14 (36 cm) 9130-S , 28 (71 cm) 9130-D
Monitor tilt	200 degrees
Monitor pivot	Landscape to portrait
Monitor compatibility	VESA® 75mm and 100mm
Mounting options	FLEXmount™, Slatwall, Wall, Thru-Desk
Monitor weight	Up to 40 lbs (18 kg) per monitor



OPTIONAL ACCESSORIES



QUICK RELEASE ADAPTERS
Allows for quick attach and release of monitor (8336-OR).



MOUNTS
Wall (8325), slatwall (8246) and thru-desk (8312).



4919 Jamestown Avenue
Building 204F
Baton Rouge, Louisiana 70808
U.S.A.

Toll-Free (800) 883-9050
International 001.225.928.4733
Fax (225) 928-4734
contact@abraxsyscorp.com