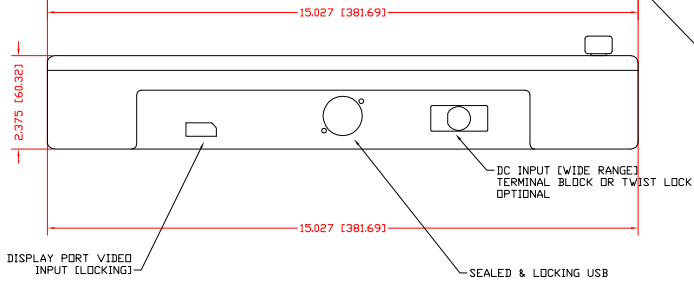
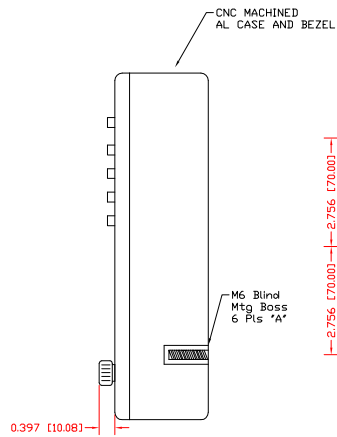
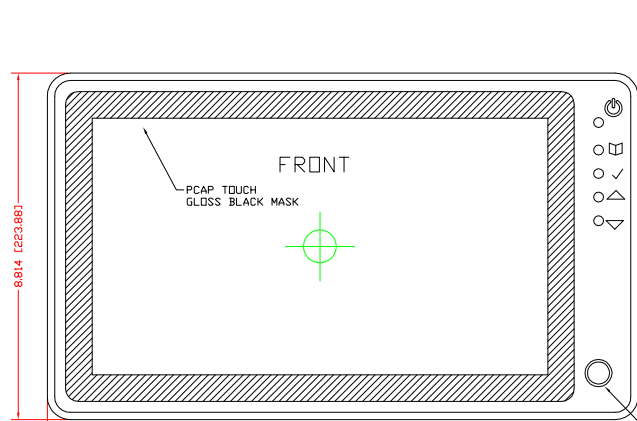
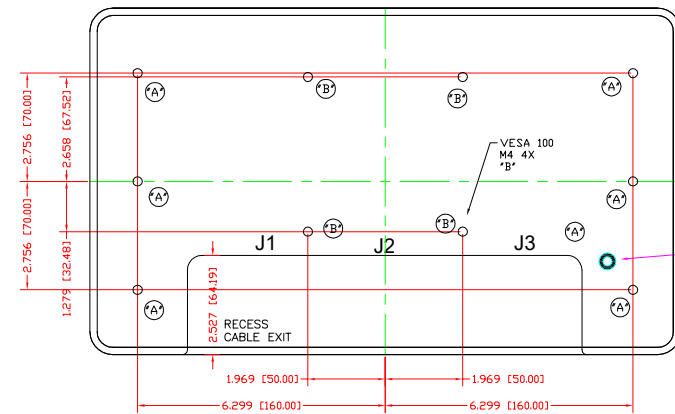


REV	DATE	BY	DESCRIPTION
1	8/15/17	AT	Created Part



OPTIONAL BACKLIGHT DIMING PDT [SEALED]



MASK FOR GROUND LOCATION APPROX

THIS DRAWING AND THE INFORMATION CONTAINED HEREIN IS THE SOLE PROPERTY OF ABRAXSYS. THIS DRAWING IS ANY PART THEREOF OR INFORMATION IS NOT TO BE REPRODUCED BY ANY MEANS, ELECTRONIC, MECHANICAL, OR BY ANY INFORMATION STORAGE AND RETRIEVAL SYSTEM, WITHOUT EXPRESS WRITTEN CONSENT.	TOLERANCE STANDARD	ABRAXSYS	PO Box 753
	ASMA Y14.5		Lansdale, PA 19033
DATE	8/15/17	DRAWING NUMBER	EN-133
SCALE	1:1	REVISED BY	AT
DESIGNED BY		DRAWN BY	
CHECKED BY		APPROVED BY	
DESCRIPTION	EXTRA HEAVY DUTY ENCLOSED 13.3 FHD (1920X1080)	DATE	8/15/17
ANGULAR		DRAWING NUMBER	EN-133
REV		REV	A1