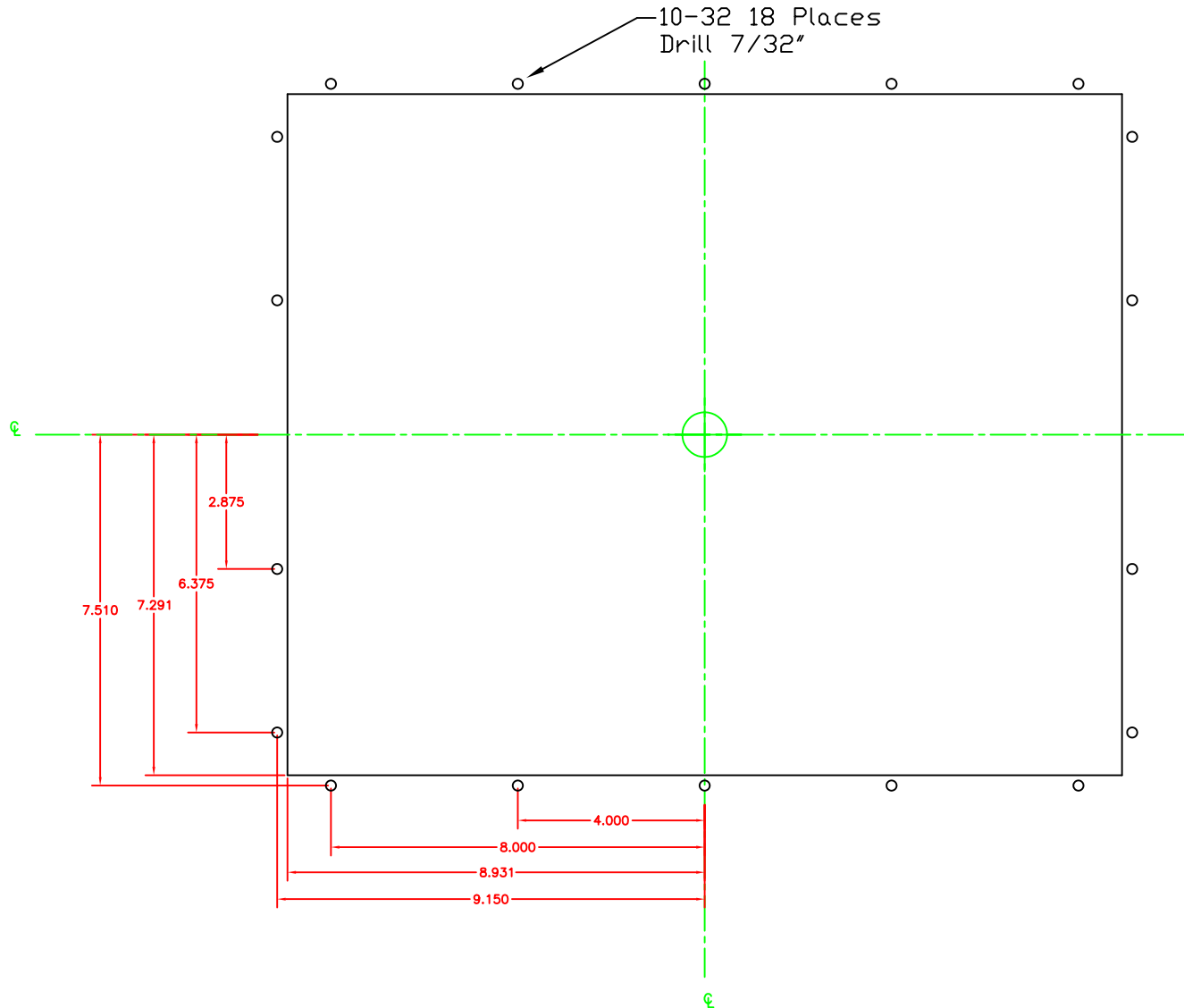


DATE	REV	REVISIONS
1/28/17	A2	CLEANED UP



THIS DRAWING AND THE INFORMATION CONTAINED THEREON IS THE EXCLUSIVE PROPERTY OF ABRAXSYS. THIS DRAWING OR ANY PART THEREOF IS CONFIDENTIAL AND PROPRIETARY AND IS NOT TO BE REPRODUCED BY ANY MEANS, RESTRICTED, LOANED, OR DISCLOSED TO OTHER PARTIES WITHOUT EXPRESSED WRITTEN CONSENT.	TOLERANCE STANDARD <small>(except as noted)</small>	ABRAXSYS		PO Box 702 Lehasko, PA 16931
	DECIMAL	SCALE	DRAWN BY	DESIGNED BY
	WELD	DESCRIPTION	APPROVED BY	DATE
	ANGULAR	DATE	DRAWING NUMBER	REV
	1/28/17	PM-19xxx	A2	