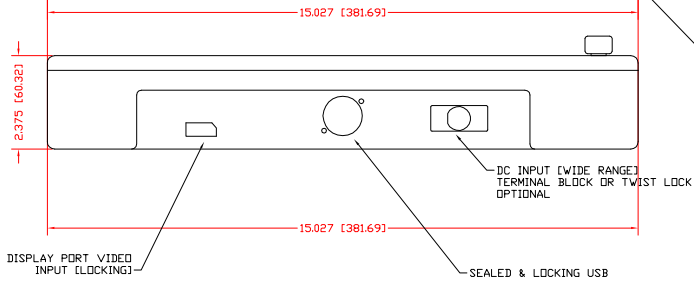
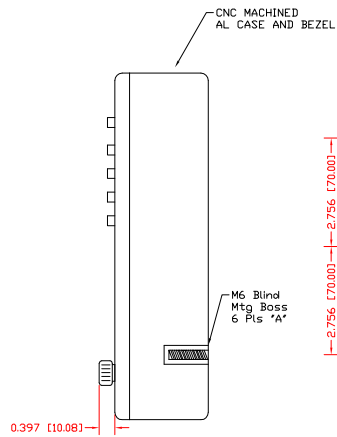
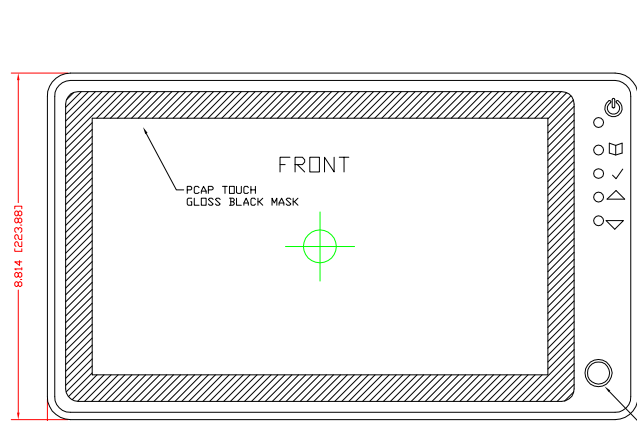
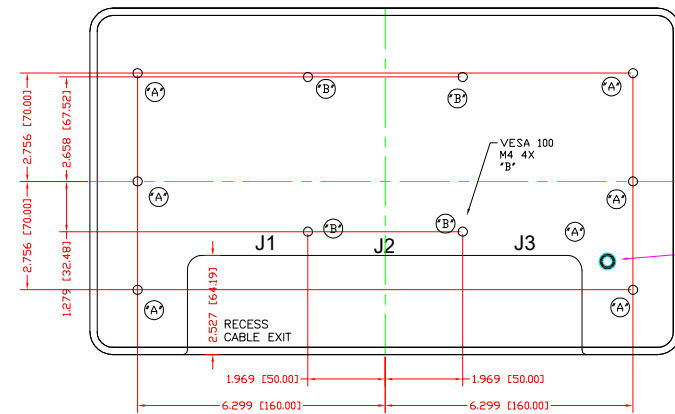


REV	DATE	BY	DESCRIPTION
1	8/15/17	AT	Created Part



OPTIONAL BACKLIGHT DIMING PDT [SEALED]



MASK FOR GROUND LOCATION APPROX

THIS DRAWING AND THE INFORMATION CONTAINED HEREIN IS THE SOLE PROPERTY OF ABRAXSYS. THIS DRAWING IS ANY PART THEREOF OR INFORMATION IS NOT TO BE REPRODUCED BY ANY MEANS, ELECTRONIC, MECHANICAL, OR BY ANY INFORMATION STORAGE AND RETRIEVAL SYSTEM, WITHOUT EXPRESS WRITTEN CONSENT.	TOLERANCE STANDARD	ABRAXSYS	PO Box 753 Lansdale, PA 19033
	ASME Y14.5-2009	SON:	SCALE: 1:1
DATE	9/15/17	DRAWING NUMBER	EN-133
REV	A1	BY	AT