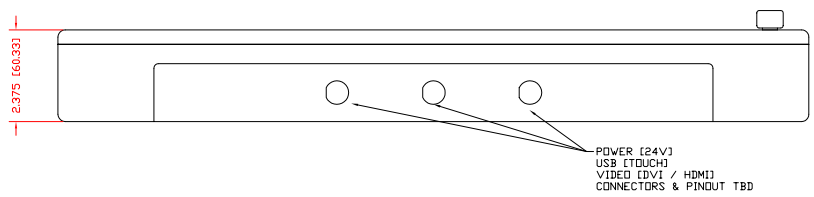
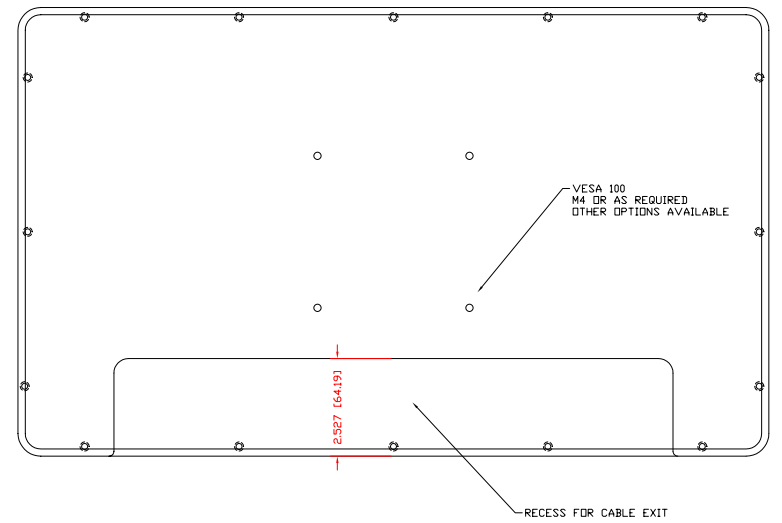
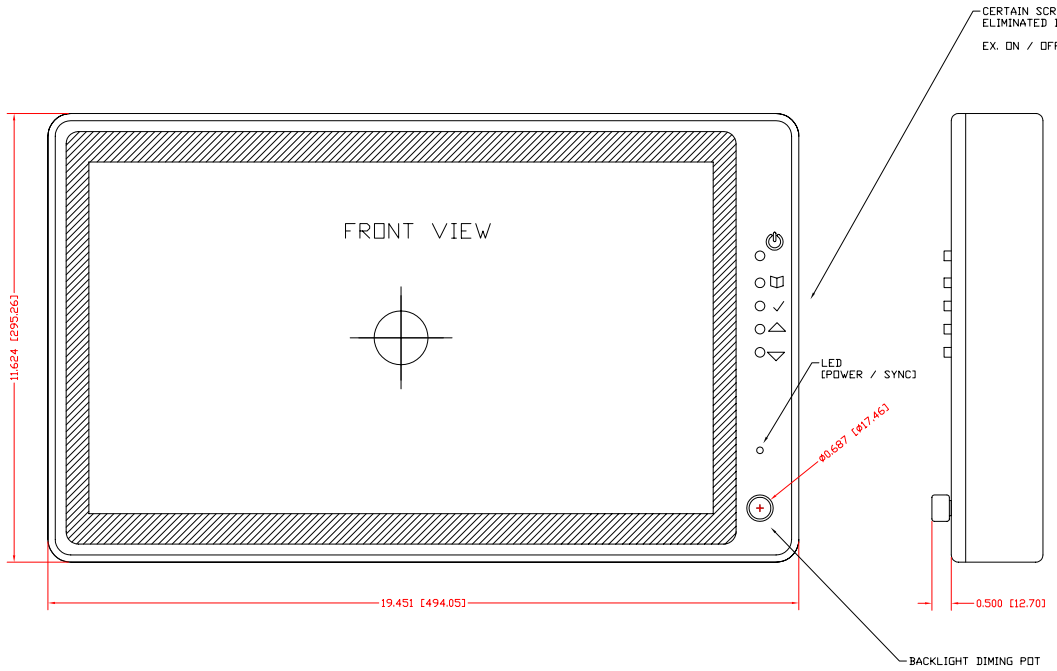


REV	NO	DESCRIPTION
1	1	Created Part



THIS DRAWING AND THE INFORMATION CONTAINED HEREIN IS THE EXCLUSIVE PROPERTY OF ABRAXSYS. THIS DRAWING OR ANY PART THEREOF IS CONFIDENTIAL AND PROPRIETARY AND IS NOT TO BE REPRODUCED, COPIED, DISTRIBUTED, LOANED OR DISCLOSED TO OTHER PARTIES WITHOUT EXPRESS WRITTEN CONSENT.	TOLERANCE STANDARD	ABRAXSYS	PO Box 752 Ligonier, PA 15827
	ASMA	SCALE	UNIFORM
REV	DATE	DRAWING NUMBER	REV
	7/17/17	DRS-185	X1